

PARTS LIST

CAUTION

- The parts identified by the \triangle symbol are important for the safety. Whenever replacing these parts, be sure to use specified ones to secure the safety .
- The parts not indicated in this Parts List and those which are filled with lines — in the Parts No. columns will not be supplied.
- P. W. Board Ass'y will not be supplied, but those which are filled with the Parts No. in the Parts No. columns will be supplied.

ABBREVIATIONS OF RESISTORS, CAPACITORS AND TOLERANCES

RESISTORS		CAPACITORS	
C R	Carbon Resistor	C CAP.	Ceramic Capacitor
F R	Fusible Resistor	E CAP.	Electrolytic Capacitor
P R	Plate Resistor	M CAP.	Mylar Capacitor
V R	Variable Resistor	HV CAP.	High Voltage Capacitor
HV R	High Voltage Resistor	MF CAP.	Metalized Film Capacitor
MF R	Metal Film Resistor	MM CAP.	Metalized Mylar Capacitor
MG R	Metal Glazed Resistor	MP CAP.	Metalized Polystyrol Capacitor
MP R	Metal Plate Resistor	PP CAP.	Polypropylene Capacitor
OM R	Metal Oxide Film Resistor	PS CAP.	Polystyrol Capacitor
CMF R	Coating Metal Film Resistor	TF CAP.	Thin Film Capacitor
UNF R	Non-Flammable Resistor	MPP CAP.	Metalized Polypropylene Capacitor
CH V R	Chip Variable Resistor	TAN. CAP.	Tantalum Capacitor
CH MG R	Chip Metal Glazed Resistor	CH C CAP.	Chip Ceramic Capacitor
COMP. R	Composition Resistor	BP E CAP.	Bi-Polar Electrolytic Capacitor
LPTC R	Linear Positive Temperature Coefficient Resistor	CH AL E CAP.	Chip Aluminum Electrolytic Capacitor
		CH AL BP CAP.	Chip Aluminum Bi-Polar Capacitor
		CH TAN. E CAP.	Chip Tantalum Electrolytic Capacitor
		CH AL BP E CAP.	Chip Tantalum Bi-Polar Electrolytic Capacitor

TOLERANCES									
F	G	J	K	M	N	R	H	Z	P
±1%	±2%	±5%	±10%	±20%	±30%	+30% -10%	+50% -10%	+80% -20%	+100% -0%

CONTENTS

I. AV-20N11

■ EXPLODED VIEW PARTS LIST	30
■ EXPLODED VIEW	30
■ PRINTED WIRING BOARD PARTS LIST	
● MAIN PW BOARD ASS'Y (SGA-1057A-H2) (With CRT SOCKET PW BOARD)	32
■ PACKING / PACKING PARTS LIST	36
■ REMOTE CONTROL UNIT PARTS LIST	37

II. AV-20N31

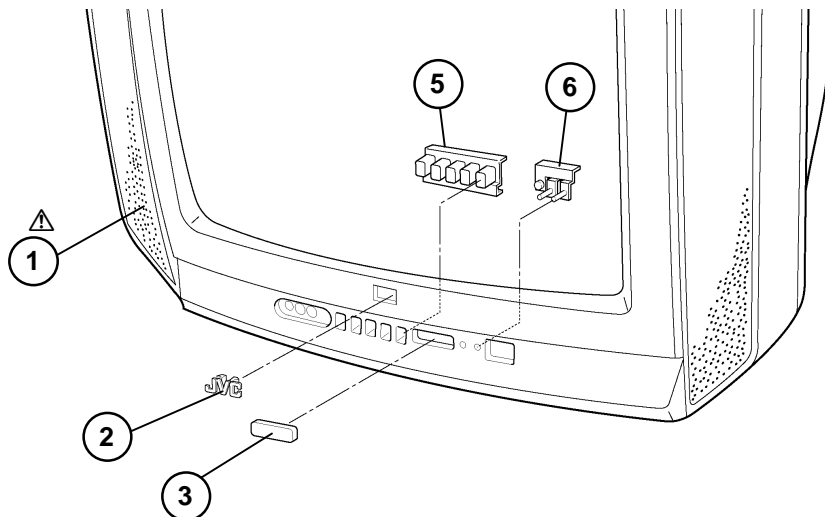
■ EXPLODED VIEW PARTS LIST	38
■ EXPLODED VIEW	38
■ PRINTED WIRING BOARD PARTS LIST	
● MAIN PW BOARD ASS'Y (SGA-1054A-H2) (With CRT SOCKET PW BOARD)	40
■ PACKING / PACKING PARTS LIST	44
■ REMOTE CONTROL UNIT PARTS LIST	44

I. AV-20N11

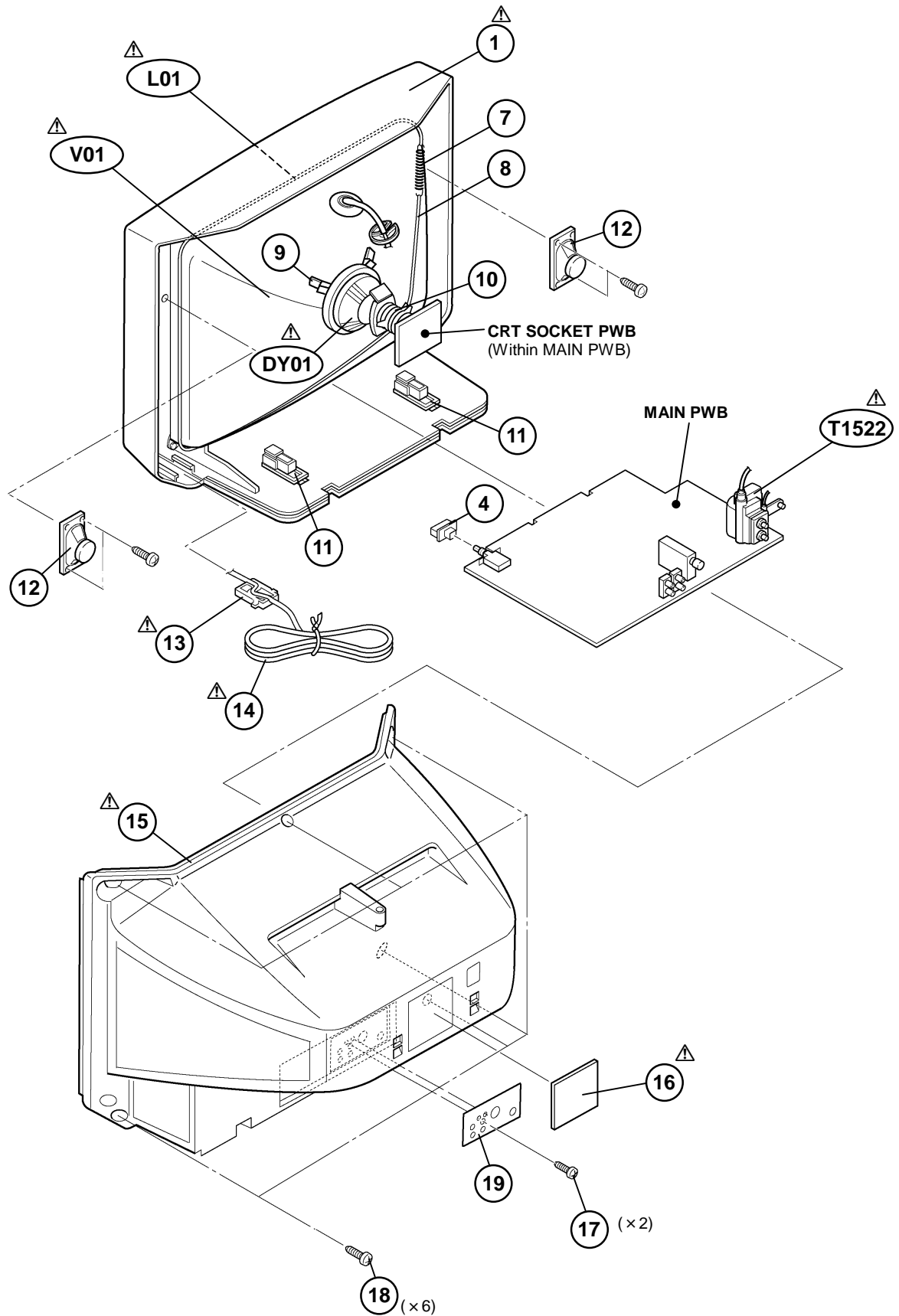
EXPLODED VIEW PARTS LIST

△ Ref. No.	Part No.	Part Name	Description
△ V01	A48KXR064X	PICTURE TUBE (C)	
△ L01	QQW0061-001	DEG COIL	
△ DY01	QQD0032-001	DEFLECTION YOKE	
△ T1522	QQH0030-002	H. V. TRANSF.	
△ 1	LC10438-020A-HK	FRONT CABINET	
2	CM48006-007-C	JVC MARK	
3	LC30664-001B-H	E. E. WINDOW	
4	LC30663-003A-H	POWER KNOB	
5	LC20318-003A-H	CONTROL KNOB	
6	LC30665-001A-H	REMOCON WINDOW	
7	A48457-4-S	SPRING	
8	WJY0008-002A	E-BRAIDED ASSY	
9	CE40764-00A	WEDGE ASSY	(X3)
10	A75034-B	P. C. MAGNET	
11	CM36623-B01-H	CHASSIS RAIL	(X2)
12	CEBSS12D-07KJ2	SPEAKER	(X2) SP01, SP02
△ 13	CM47005-A01-H	CORD CLAMP	
△ 14	QMPR010-200-E2	POWER CORD	or QMPR010-200-K2
△ 15	LC10448-003A-HK	REAR COVER	
△ 16	GG20003-016A-H	RATING LABEL	
17	QYSBSF3010Z	TAPPING SCREW	(X2)
18	QYSBSFG4016Z	TAPPING SCREW	(X6)
19	LC30819-002A	TERMINAL SHEET	

EXPLODED VIEW [AV-20N11]



EXPLODED VIEW [AV-20N11]



PRINTED WIRING BOARD PARTS LIST

MAIN P.W. BOARD ASS'Y (SGA-1057A-H2) [AV-20N11]

△ Symbol No.	Part No.	Part Name	Description
RESISTOR			
R1001	NRSA02J-563X	MG R	56kΩ 1/10W J
R1003-04	NRSA02J-0R0X	MG R	0.0Ω 1/10W J
R1005	QRT029J-4R7	MF R	4.7Ω 2W J
R1006	NRSA02J-820X	MG R	82Ω 1/10W J
R1101	NRSA02J-562X	MG R	5.6kΩ 1/10W J
R1102	NRSA02J-182X	MG R	1.8kΩ 1/10W J
R1103	QRE121J-101Y	C R	100Ω 1/2W J
R1104	NRSA02J-220X	MG R	22Ω 1/10W J
R1105	NRSA02J-270X	MG R	27Ω 1/10W J
R1111	NRSA02J-394X	MG R	390kΩ 1/10W J
R1112	NRSA02J-334X	MG R	330kΩ 1/10W J
R1113	NRSA02J-101X	MG R	100Ω 1/10W J
R1116	NRSA02J-151X	MG R	150Ω 1/10W J
R1131	NRSA02J-102X	MG R	1kΩ 1/10W J
R1132	NRSA02J-331X	MG R	330Ω 1/10W J
R1133	NRSA02J-102X	MG R	1kΩ 1/10W J
R1134	NRSA02J-271X	MG R	270Ω 1/10W J
R1135	NRSA02J-471X	MG R	470Ω 1/10W J
R1161	NRSA02J-182X	MG R	1.8kΩ 1/10W J
R1162	NRSA02J-332X	MG R	3.3kΩ 1/10W J
R1163	NRSA02J-103X	MG R	10kΩ 1/10W J
R1164	NRSA02J-102X	MG R	1kΩ 1/10W J
R1165	NRSA02J-273X	MG R	27kΩ 1/10W J
R1166	NRSA02J-103X	MG R	10kΩ 1/10W J
R1167	NRSA02J-102X	MG R	1kΩ 1/10W J
R1168	NRSA02J-101X	MG R	100Ω 1/10W J
R1169	NRSA02J-561X	MG R	560Ω 1/10W J
R1170	NRSA02J-123X	MG R	12kΩ 1/10W J
R1171	NRSA02J-153X	MG R	15kΩ 1/10W J
R1201	NRSA02J-821X	MG R	820Ω 1/10W J
R1202	NRSA02J-102X	MG R	1kΩ 1/10W J
R1203	NRSA02J-821X	MG R	820Ω 1/10W J
R1204	NRSA02J-681X	MG R	680Ω 1/10W J
R1205	NRSA02J-152X	MG R	1.5kΩ 1/10W J
R1213	NRSA02J-391X	MG R	390Ω 1/10W J
R1215	NRSA02J-824X	MG R	820kΩ 1/10W J
R1216	NRSA02J-0R0X	MG R	0.0Ω 1/10W J
R1217	NRSA02J-684X	MG R	680kΩ 1/10W J
R1220	NRSA02J-0R0X	MG R	0.0Ω 1/10W J
R1251	NRSA02J-750X	MG R	75Ω 1/10W J
R1253	NRSA02J-680X	MG R	68Ω 1/10W J
R1254	QRE121J-101Y	C R	100Ω 1/2W J
R1255	NRSA02J-101X	MG R	100Ω 1/10W J
R1301	NRSA02J-102X	MG R	1kΩ 1/10W J
R1303	NRSA02J-223X	MG R	22kΩ 1/10W J
R1304	NRSA02J-223X	MG R	22kΩ 1/10W J
R1307	NRSA02J-103X	MG R	10kΩ 1/10W J
R1308	NRSA02J-472X	MG R	4.7kΩ 1/10W J
R1309	NRSA02J-103X	MG R	10kΩ 1/10W J
R1311	NRSA02J-273X	MG R	27kΩ 1/10W J
R1312	NRSA02J-0R0X	MG R	0.0Ω 1/10W J
R1314	NRSA02J-0R0X	MG R	0.0Ω 1/10W J
R1341	NRSA02J-121X	MG R	120Ω 1/10W J
R1342-43	NRSA02J-333X	MG R	33kΩ 1/10W J
R1351-53	NRSA02J-151X	MG R	150Ω 1/10W J
R1354-56	NRSA02J-331X	MG R	330Ω 1/10W J
R1357-59	NRSA02J-101X	MG R	100Ω 1/10W J
R1360-62	QRZ0107-152Z	C R	1.5kΩ 1/2W K
R1363-65	QRL029J-123	OM R	12kΩ 2W J
R1366-68	NRSA02J-272X	MG R	2.7kΩ 1/10W J
R1401	NRSA02J-103X	MG R	10kΩ 1/10W J
R1402	NRSA02J-682X	MG R	6.8kΩ 1/10W J
R1403	NRSA02J-0R0X	MG R	0.0Ω 1/10W J
R1404	NRSA02J-102X	MG R	1kΩ 1/10W J
R1405	NRSA02J-221X	MG R	220Ω 1/10W J
R1406-08	NRSA02J-472X	MG R	4.7kΩ 1/10W J
R1410	NRSA02J-0R0X	MG R	0.0Ω 1/10W J

△ Symbol No.	Part No.	Part Name	Description
RESISTOR			
R1413	QRE121J-391Y	C R	390Ω 1/2W J
R1414	QRX016J-1R2	MF R	1.2Ω 1W J
R1416	NRSA02J-563X	MG R	56kΩ 1/10W J
R1418	NRSA02J-563X	MG R	56kΩ 1/10W J
R1419	NRSA02J-223X	MG R	22kΩ 1/10W J
R1421-22	NRSA02J-0R0X	MG R	0.0Ω 1/10W J
R1423	NRSA02J-103X	MG R	10kΩ 1/10W J
R1501	NRSA02J-0R0X	MG R	0.0Ω 1/10W J
R1503	NRSA02J-103X	MG R	10kΩ 1/10W J
R1504	NRSA02J-104X	MG R	100kΩ 1/10W J
R1505	NRSA02J-822X	MG R	8.2kΩ 1/10W J
R1506	NRSA02J-102X	MG R	1kΩ 1/10W J
R1510	NRSA02J-0R0X	MG R	0.0Ω 1/10W J
R1512	NRSA02J-103X	MG R	10kΩ 1/10W J
R1513	NRSA02J-0R0X	MG R	0.0Ω 1/10W J
R1514	NRSA02J-333X	MG R	33kΩ 1/10W J
R1521	QRL039J-562	OM R	5.6kΩ 3W J
R1523	NRSA02J-222X	MG R	2.2kΩ 1/10W J
R1524	QRE121J-103Y	C R	10kΩ 1/2W J
R1526	QRL029J-152	OM R	1.5kΩ 2W J
R1529	NRSA02J-621X	MG R	620Ω 1/10W J
R1532	QRL039J-562	OM R	5.6kΩ 3W J
R1533	QRE121J-220Y	C R	22Ω 1/2W J
R1543	QRT039J-R47	MF R	0.47Ω 3W J
R1544	QRL039J-223	OM R	22kΩ 3W J
△ R1562	QRA14CF-6801Y	MF R	6.8kΩ 1/4W F
△ R1563	QRA14CF-3741Y	MF R	3.74kΩ 1/4W F
R1581	QRE121J-333Y	C R	33kΩ 1/2W J
R1582	QRE121J-393Y	C R	39kΩ 1/2W J
R1584	QRE121J-223Y	C R	22kΩ 1/2W J
R1601	QRE121J-1R0Y	C R	1.0Ω 1/2W J
R1605	NRSA02J-473X	MG R	47kΩ 1/10W J
R1606	NRSA02J-103X	MG R	10kΩ 1/10W J
R1607	NRSA02J-471X	MG R	470Ω 1/10W J
R1608	NRSA02J-562X	MG R	5.6kΩ 1/10W J
R1609-10	QRE121J-271Y	C R	270Ω 1/2W J
R1613	QRE121J-152Y	C R	1.5kΩ 1/2W J
R1614	QRE121J-332Y	C R	3.3kΩ 1/2W J
R1615-18	NRSA02J-103X	MG R	10kΩ 1/10W J
R1619	NRSA02J-221X	MG R	220Ω 1/10W J
R1651	NRSA02J-102X	MG R	1kΩ 1/10W J
R1653	QRE121J-181Y	C R	180Ω 1/2W J
R1654	NRSA02J-821X	MG R	820Ω 1/10W J
R1655	NRSA02J-472X	MG R	4.7kΩ 1/10W J
R1656	NRSA02J-102X	MG R	1kΩ 1/10W J
R1701	NRSA02J-563X	MG R	56kΩ 1/10W J
R1702	NRSA02J-223X	MG R	22kΩ 1/10W J
R1703	NRSA02J-0R0X	MG R	0.0Ω 1/10W J
R1704	NRSA02J-103X	MG R	10kΩ 1/10W J
R1705	NRSA02J-102X	MG R	1kΩ 1/10W J
R1706	NRSA02J-823X	MG R	82kΩ 1/10W J
R1707	NRSA02J-103X	MG R	10kΩ 1/10W J
R1708	NRSA02J-0R0X	MG R	0.0Ω 1/10W J
R1709	NRSA02J-103X	MG R	10kΩ 1/10W J
R1710	NRSA02J-102X	MG R	1kΩ 1/10W J
R1711	NRSA02J-103X	MG R	10kΩ 1/10W J
R1712	NRSA02J-0R0X	MG R	0.0Ω 1/10W J
R1713	NRSA02J-103X	MG R	10kΩ 1/10W J
R1714	NRSA02J-0R0X	MG R	0.0Ω 1/10W J
R1715	NRSA02J-472X	MG R	4.7kΩ 1/10W J
R1716	NRSA02J-0R0X	MG R	0.0Ω 1/10W J
R1717	NRSA02J-472X	MG R	4.7kΩ 1/10W J
R1718	NRSA02J-0R0X	MG R	0.0Ω 1/10W J
R1719	NRSA02J-473X	MG R	47kΩ 1/10W J
R1720	NRSA02J-683X	MG R	68kΩ 1/10W J
R1721	NRSA02J-473X	MG R	47kΩ 1/10W J
R1722	NRSA02J-103X	MG R	10kΩ 1/10W J

△ Symbol No.	Part No.	Part Name	Description
RESISTOR			
R1723	NRSA02J-183X	MG R	18kΩ 1/10W J
R1724	NRSA02J-103X	MG R	10kΩ 1/10W J
R1725	NRSA02J-102X	MG R	1kΩ 1/10W J
R1726	NRSA02J-0R0X	MG R	0.0Ω 1/10W J
R1727	NRSA02J-103X	MG R	10kΩ 1/10W J
R1728	NRSA02J-102X	MG R	1kΩ 1/10W J
R1729	NRSA02J-105X	MG R	1MΩ 1/10W J
R1732	NRSA02J-102X	MG R	1kΩ 1/10W J
R1733	NRSA02J-333X	MG R	33kΩ 1/10W J
R1734	NRSA02J-102X	MG R	1kΩ 1/10W J
R1735	NRSA02J-102X	MG R	1kΩ 1/10W J
R1736	NRSA02J-124X	MG R	120kΩ 1/10W J
R1737	NRSA02J-184X	MG R	180kΩ 1/10W J
R1738	NRSA02J-102X	MG R	1kΩ 1/10W J
R1740	NRSA02J-472X	MG R	4.7kΩ 1/10W J
R1741	NRSA02J-102X	MG R	1kΩ 1/10W J
R1742	NRSA02J-472X	MG R	4.7kΩ 1/10W J
R1743	NRSA02J-223X	MG R	22kΩ 1/10W J
R1744	NRSA02J-103X	MG R	10kΩ 1/10W J
R1745	NRSA02J-153X	MG R	15kΩ 1/10W J
R1746	NRSA02J-103X	MG R	10kΩ 1/10W J
R1747	NRSA02J-153X	MG R	15kΩ 1/10W J
R1748	NRSA02J-103X	MG R	10kΩ 1/10W J
R1749	NRSA02J-153X	MG R	15kΩ 1/10W J
R1750-51	NRSA02J-561X	MG R	560Ω 1/10W J
R1752-53	NRSA02J-103X	MG R	10kΩ 1/10W J
R1754	NRSA02J-562X	MG R	5.6kΩ 1/10W J
R1755-56	NRSA02J-103X	MG R	10kΩ 1/10W J
R1757	NRSA02J-562X	MG R	5.6kΩ 1/10W J
R1758	NRSA02J-223X	MG R	22kΩ 1/10W J
R1759	NRSA02J-103X	MG R	10kΩ 1/10W J
R1765	NRSA02J-122X	MG R	1.2kΩ 1/10W J
R1766	NRSA02J-102X	MG R	1kΩ 1/10W J
R1771-72	NRSA02J-221X	MG R	220Ω 1/10W J
R1781-82	NRSA02J-681X	MG R	680Ω 1/10W J
R1783-84	NRSA02J-221X	MG R	220Ω 1/10W J
R1801-03	NRSA02J-221X	MG R	220Ω 1/10W J
R1811-13	NRSA02J-0R0X	MG R	0.0Ω 1/10W J
R1815	NRSA02J-0R0X	MG R	0.0Ω 1/10W J
R1816	NRSA02J-103X	MG R	10kΩ 1/10W J
△ R1901	QRF104K-3R9	UNF R	3.9Ω 10W K
R1902	QRL039J-393	OM R	39kΩ 3W J
R1910	QRE121J-564Y	C R	560kΩ 1/2W J
R1911	QRE121J-183Y	C R	18kΩ 1/2W J
R1921	QRE121J-681Y	C R	680Ω 1/2W J
R1922	QRMO59J-R22	MP R	0.22Ω 5W J
R1923	QRT029J-R39	MF R	0.39Ω 2W J
R1924	QRE121J-103Y	C R	10kΩ 1/2W J
R1925	QRE121J-102Y	C R	1kΩ 1/2W J
R1926	QRE121J-152Y	C R	1.5kΩ 1/2W J
R1929	QRE121J-332Y	C R	3.3kΩ 1/2W J
R1932	QRE121J-4R7Y	C R	4.7Ω 1/2W J
R1942	NRSA02J-223X	MG R	22kΩ 1/10W J
R1943	QRE121J-152Y	C R	1.5kΩ 1/2W J
R1944	NRSA02J-103X	MG R	10kΩ 1/10W J
R1945	NRSA02J-332X	MG R	3.3kΩ 1/10W J
R1946	NRSA02J-123X	MG R	12kΩ 1/10W J
R1947	QRE121J-470Y	C R	47Ω 1/2W J
R1948	NRSA02J-152X	MG R	1.5kΩ 1/10W J
R1949	NRSA02J-153X	MG R	15kΩ 1/10W J
R1950	NRSA02J-103X	MG R	10kΩ 1/10W J
R1951	NRSA02J-332X	MG R	3.3kΩ 1/10W J
R1952	NRSA02J-472X	MG R	4.7kΩ 1/10W J
R1959	NRSA02J-0R0X	MG R	0.0Ω 1/10W J
R1961-62	QRT029J-1R8	MF R	1.8Ω 2W J
R1964	QRE121J-272Y	C R	2.7kΩ 1/2W J
R1965	QRE121J-473Y	C R	47kΩ 1/2W J
R1966	NRSA02J-223X	MG R	22kΩ 1/10W J
△ R1981	QRZ0057-825	C R	8.2MΩ 1W J

△ Symbol No.	Part No.	Part Name	Description
CAPACITOR			
C1001	QETN1HM-106Z	E CAP.	10μF 50V M
C1007	QETN1CM-477Z	E CAP.	470μF 16V M
C1008-09	QETN1CM-107Z	E CAP.	100μF 16V M
C1011	NCB21HK-103X	C CAP.	0.01μF 50V K
C1101-02	NCB21HK-103X	C CAP.	0.01μF 50V K
C1103	NDC21HJ-680X	C CAP.	680pF 50V J
C1104-05	NCB21HK-103X	C CAP.	0.01μF 50V K
C1111	QETN1EM-476Z	E CAP.	47μF 25V M
C1112-14	NCB21HK-103X	C CAP.	0.01μF 50V K
C1116	QFV71HJ-224Z	MF CAP.	0.22μF 50V J
C1117	QETN1EM-476Z	E CAP.	47μF 25V M
C1118	NCB21HK-103X	C CAP.	0.01μF 50V K
C1119	NDC21HJ-681X	C CAP.	680pF 50V J
C1120	QETN1HM-225Z	E CAP.	2.2μF 50V M
C1123-24	NCB21HK-103X	C CAP.	0.01μF 50V K
C1161	QETN1HM-106Z	E CAP.	10μF 50V M
C1162	NCB21HK-333X	C CAP.	0.033μF 50V K
C1163-64	NDC21HJ-470X	C CAP.	47pF 50V J
C1165-66	NCB21HK-103X	C CAP.	0.01μF 50V K
C1202	QETN1CM-107Z	E CAP.	100μF 16V M
C1207	NCB21HK-104X	CHIP CAP.	0.1μF 50V K
C1208	QETN1HM-475Z	E CAP.	4.7μF 50V M
C1209	QETN1CM-227Z	E CAP.	220μF 16V M
C1210	NCB21HK-103X	C CAP.	0.01μF 50V K
C1211	NDC21HJ-681X	C CAP.	680pF 50V J
C1212	NCB21HK-104X	CHIP CAP.	0.1μF 50V K
C1213	QETN1HM-105Z	E CAP.	1μF 50V M
C1214	NCB21HK-104X	CHIP CAP.	0.1μF 50V K
C1215	QETN1HM-106Z	E CAP.	10μF 50V M
C1251-52	QETN1HM-106Z	E CAP.	10μF 50V M
C1254	QETN1CM-477Z	E CAP.	470μF 16V M
C1256	QETN1CM-107Z	E CAP.	100μF 16V M
C1258	QETN1CM-227Z	E CAP.	220μF 16V M
C1291-92	QETN1CM-107Z	E CAP.	100μF 16V M
C1294	QETN1CM-107Z	E CAP.	100μF 16V M
C1296	QETN1CM-107Z	E CAP.	100μF 16V M
C1301-02	NDC21HJ-150X	C CAP.	150pF 50V J
C1303	NDC21HJ-120X	C CAP.	12pF 50V J
C1304	NCB21HK-103X	C CAP.	0.01μF 50V K
C1305	NDC21HJ-120X	C CAP.	12pF 50V J
C1306	QETN1EM-476Z	E CAP.	47μF 25V M
C1307	NCB21HK-103X	C CAP.	0.01μF 50V K
C1308-09	NCB21HK-104X	CHIP CAP.	0.1μF 50V K
C1311	QETN1HM-225Z	E CAP.	2.2μF 50V M
C1312	NCB21HK-103X	C CAP.	0.01μF 50V K
C1313	QETN1HM-475Z	E CAP.	4.7μF 50V M
C1342	QETN1HM-335Z	E CAP.	3.3μF 50V M
C1354-55	NDC21HJ-271X	C CAP.	270pF 50V J
C1356	NDC21HJ-331X	C CAP.	330pF 50V J
C1357	QETN1CM-107Z	E CAP.	100μF 16V M
△ C1382	QCZ0121-102	C CAP.	1000pF 3kV Z
C1401-02	QETN1HM-105Z	E CAP.	1μF 50V M
C1403	QEM61EK-225Z	E CAP.	2.2μF 25V K
C1405	QFV71HJ-104Z	MF CAP.	0.1μF 50V J
C1406	QFLC1HJ-103Z	M CAP.	0.01μF 50V J
C1410	QETN1VM-107Z	E CAP.	100μF 35V M
C1411	QETN1VM-477Z	E CAP.	470μF 35V M
C1412	QFLC2AJ-563Z	M CAP.	0.056μF 100V J
C1413	QETN1EM-108Z	E CAP.	1000μF 25V M
C1414	QETN1HM-105Z	E CAP.	1μF 50V M
C1415	QFLC1HJ-152Z	M CAP.	1500pF 50V J
C1416	NDC21HJ-681X	C CAP.	680pF 50V J
C1501	QETN1CM-107Z	E CAP.	100μF 16V M
C1503	NCB21HK-103X	C CAP.	0.01μF 50V K
C1505-06	NCB21HK-103X	C CAP.	0.01μF 50V K
C1507	QETN1HM-105Z	E CAP.	1μF 50V M
C1511	QETN1HM-106Z	E CAP.	10μF 50V M
C1521	QCB32HK-151Z	C CAP.	150pF 5000V K
C1522	QCB32HK-331Z	C CAP.	330pF 5000V K
C1523	QETN2CM-105Z	E CAP.	1μF 160V M
△ C1524	QFZ0198-782	MPP CAP.	7800pF 1.5kVH ±3%
△ C1525	QFZ0119-434	MPP CAP.	0.43μF 200V ±3%

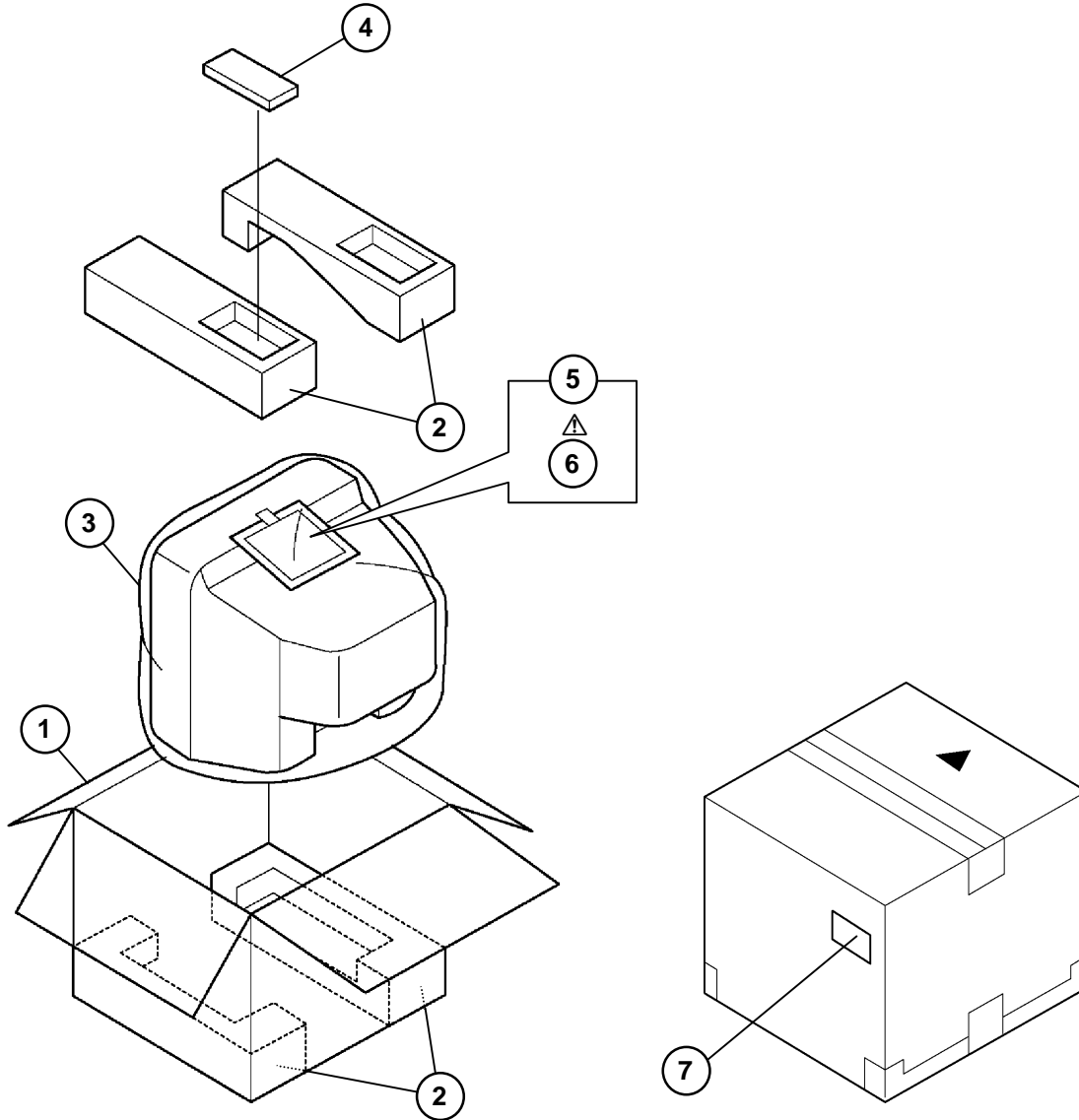
△ Symbol No.	Part No.	Part Name	Description
CAPACITOR			
△ C1526	QEZO203-476	E CAP.	47μF 160V M
C1541	QETN2EM-106Z	E CAP.	10μF 250V M
C1543	QETN1VM-477Z	E CAP.	470μF 35V M
C1546-47	QETN1CM-227Z	E CAP.	220μF 16V M
C1561	QETN1VM-107Z	E CAP.	100μF 35V M
C1581	QFLC1HJ-473Z	M CAP.	0.047μF 50V J
C1583	QFV71HJ-104Z	MF CAP.	0.1μF 50V J
C1584	QFLC2AJ-103Z	M CAP.	0.01μF 100V J
C1601	QENC1HM-105Z	BP E CAP.	1μF 50V M
C1603-04	QETN1HM-106Z	E CAP.	10μF 50V M
C1605	QETN1EM-477Z	E CAP.	470μF 25V M
C1606	NCB21EK-224X	CHIP CAP.	0.22μF 25V K
C1607	QETN1EM-228	E CAP.	2200μF 25V M
C1608	QETN1EM-476Z	E CAP.	47μF 25V M
C1609-10	QETN1HM-106Z	E CAP.	10μF 50V M
C1611	NCB21EK-224X	CHIP CAP.	0.22μF 25V K
C1612	QETN1HM-105Z	E CAP.	1μF 50V M
C1613	QETN1EM-107Z	E CAP.	100μF 25V M
C1614	QETN1HM-106Z	E CAP.	10μF 50V M
C1615	QETN1HM-226Z	E CAP.	22μF 50V M
C1651	NCB21HK-332X	C CAP.	3300pF 50V K
C1652	QENC1CM-106Z	BP E CAP.	10μF 16V M
C1653	QETN1HM-105Z	E CAP.	1μF 50V M
C1654	QETN1HM-106Z	E CAP.	10μF 50V M
C1655	QETN1CM-107Z	E CAP.	100μF 16V M
C1656	NCB21HK-332X	C CAP.	3300pF 50V K
C1657	QETN1HM-106Z	E CAP.	10μF 50V M
C1701	NRSA02J-0R0X	MG R	0.0Ω 1/10W J
C1703	NRSA02J-0R0X	MG R	0.0Ω 1/10W J
C1704	NCB21HK-102X	C CAP.	1000pF 50V K
C1706	QETN1AM-227Z	E CAP.	220μF 10V M
C1707	NCB21HK-103X	C CAP.	0.01μF 50V K
C1708-09	QETN1HM-106Z	E CAP.	10μF 50V M
C1711	NDC21HJ-151X	C CAP.	150pF 50V J
C1712	NCB21HK-104X	CHIP CAP.	0.1μF 50V K
C1713	QETN1HM-105Z	E CAP.	1μF 50V M
C1714	NDC21HJ-221X	C CAP.	220pF 50V J
C1715	NCB21HK-102X	C CAP.	1000pF 50V K
C1716	QENC1HM-474Z	BP E CAP.	0.47μF 50V M
C1717	NDC21HJ-180X	C CAP.	18pF 50V J
C1718	NDC21HJ-220X	C CAP.	22pF 50V J
C1719	QETN1CM-107Z	E CAP.	100μF 16V M
C1720	NCB21HK-104X	CHIP CAP.	0.1μF 50V K
C1723	NDC21HJ-151X	C CAP.	150pF 50V J
C1724	QETN1HM-105Z	E CAP.	1μF 50V M
C1725	NDC21HJ-151X	C CAP.	150pF 50V J
C1727	NCB21HK-103X	C CAP.	0.01μF 50V K
C1733	QETN1EM-476Z	E CAP.	47μF 25V M
C1734	NCB21HK-104X	CHIP CAP.	0.1μF 50V K
C1735	NCB21HK-103X	C CAP.	0.01μF 50V K
C1736	QETN1CM-107Z	E CAP.	100μF 16V M
C1738	QETN1EM-476Z	E CAP.	47μF 25V M
C1742	QETN1HM-225Z	E CAP.	2.2μF 50V M
C1765	NDC21HJ-101X	C CAP.	100pF 50V J
C1771	QETN1EM-476Z	E CAP.	47μF 25V M
C1772	NCB21HK-103X	C CAP.	0.01μF 50V K
C1805	QETN1CM-227Z	E CAP.	220μF 16V M
C1806	NCB21HK-103X	C CAP.	0.01μF 50V K
C1811-13	NCB21HK-103X	C CAP.	0.01μF 50V K
△ C1901	QFZ9040-104	MF CAP.	0.1μF AC275V M
△ C1902	QFZ9040-104	MF CAP.	0.1μF AC275V M
△ C1903	QCZ9078-47Z	C CAP.	4700pFAC250V M
△ C1904	QCZ9078-47Z	C CAP.	4700pFAC250V M
△ C1905	QCZ9078-47Z	C CAP.	4700pFAC250V M
△ C1906	QEZO199-127	E CAP.	120μF 400V M
C1921	QCZ0325-102	C CAP.	1000pF 2kV K
C1922	QCS31HJ-471Z	C CAP.	470pF 50V J
C1924	QETN1VM-107Z	E CAP.	100μF 35V M
C1925	QFLC1HJ-102Z	M CAP.	1000pF 50V J
C1926	QFLC1HJ-182Z	M CAP.	1800pF 50V J
C1928	QFV71HJ-104Z	MF CAP.	0.1μF 50V J
C1931	QCZ0122-391	C CAP.	390pF 2kV K

△ Symbol No.	Part No.	Part Name	Description
CAPACITOR			
C1941	QCZ0122-471	C CAP.	470pF 2kV K
△ C1942	QEZO203-107	E CAP.	100μF 160V M
C1943	QCB32HK-471Z	C CAP.	470pF 500V K
C1944	QETN1EM-108Z	E CAP.	1000μF 25V M
C1945	QETN1EM-227Z	E CAP.	220μF 25V M
C1946	QETN1EM-107Z	E CAP.	100μF 25V M
C1947	QETN1HM-106Z	E CAP.	10μF 50V M
C1952	QETM1EM-228	E CAP.	2200μF 25V M
C1953	QCZ0122-471	C CAP.	470pF 2kV K
C1957	NDC21HJ-471X	C CAP.	470pF 50V J
C1961	QETN1CM-107Z	E CAP.	100μF 16V M
C1962	QETN1EM-476Z	E CAP.	47μF 25V M
△ C1981	QCZ9079-471	C CAP.	470pFAC250V K
△ C1982	QCZ9079-102	C CAP.	1000pFAC250V M
△ C1983	QCZ9079-471	C CAP.	470pFAC250V K
C1984	QETN1VM-337Z	E CAP.	330μF 35V M
TRANSFORMER			
T1111	CELTO01-209J3	C.WAVE TRANSF.	
T1521	CE42034-001	H.DRIVE TRANSF.	
△ T1921	CETS109-001JK	SWITCH. TRANSF.	
COIL			
L1001	QQL03BJ-150Z	COIL	15μH J
L1003	QQL03BJ-4R7Z	COIL	4.7μH J
L1101	QQLZ014-R22	PEAKING COIL	
L1131	QQL03BJ-150Z	COIL	15μH J
L1161	QQL03BJ-220Z	COIL	22μH J
L1205	QQL03BJ-4R7Z	COIL	4.7μH J
L1301	QQL03BJ-390Z	COIL	39μH J
L1381	QQL03BJ-390Z	COIL	39μH J
L1501	QQL03BJ-4R7Z	COIL	4.7μH J
L1701-02	QQL03BJ-4R7Z	COIL	4.7μH J
L1708	QQL03BJ-560Z	COIL	56μH J
L1771	QQL03BJ-4R7Z	COIL	4.7μH J
L1941-42	QQL26AK-820Z	COIL	82μH K
DIODE			
D1001	MTZJ33A-T2	ZENER DIODE	
D1201	1SS133-T2	SI. DIODE	
D1202	MTZJ7.5B-T2	ZENER DIODE	
D1253-56	MTZJ5.6A-T2	ZENER DIODE	
D1341	1SS133-T2	SI. DIODE	
D1401	1N4003-T2	SI. DIODE	
D1402	MTZJ75-T2	ZENER DIODE	
D1510	1SS133-T2	SI. DIODE	
D1541	RH1S-T3	SI. DIODE	
D1542	RGP10J-5025-T3	SI. DIODE	
D1543	RGP10J-5025-T3	SI. DIODE	
D1544	RH1S-T3	SI. DIODE	
D1561	1SS81-T2	SI. DIODE	
△ D1562	MTZJ7.55-T2	ZENER DIODE	
D1581	RGP10J-5025-T3	SI. DIODE	
D1582	MTZJ9.1B-T2	ZENER DIODE	
D1601	1SS133-T2	SI. DIODE	
D1602	1SS133-T2	SI. DIODE	
D1604	MTZJ7.5B-T2	ZENER DIODE	
D1605	1SS133-T2	SI. DIODE	
D1651-52	MTZJ5.6A-T2	ZENER DIODE	
D1657	MTZJ9.1C-T2	ZENER DIODE	
D1701	1SS133-T2	SI. DIODE	
D1702	1SS133-T2	SI. DIODE	
D1703	1SS133-T2	SI. DIODE	
D1704	1SS133-T2	SI. DIODE	
D1705	MTZJ5.6A-T2	ZENER DIODE	
D1706	SLR-342VR-T16	L. E. D.	
D1707	SLR-342DU-T16	L. E. D. (ORG)	
D1771-72	MTZJ6.2B-T2	ZENER DIODE	
D1801-03	MTZJ15B-T2	ZENER DIODE	
D1805	MTZJ15B-T2	ZENER DIODE	

Symbol No.	Part No.	Part Name	Description
DIODE			
△ D1901	D2SBA60	BRIDGE DIODE	
D1903	RGP10J-5025-T3	SI. DIODE	
D1905	MTZJ6.8A-T2	ZENER DIODE	
D1921	RGP10J-5025-T3	SI. DIODE	
D1922	RGP10J-5025-T3	SI. DIODE	
D1923	MTZJ15A-T2	ZENER DIODE	
D1924	1SS133-T2	SI. DIODE	
D1927	1SS133-T2	SI. DIODE	
D1928	1SS133-T2	SI. DIODE	
D1929	MTZJ15A-T2	ZENER DIODE	
D1941	RU3AM-LFC4	SI. DIODE	
D1942	RGP10J-5025-T3	SI. DIODE	
D1943	1SS133-T2	SI. DIODE	
D1945	MTZJ5.6B-T2	ZENER DIODE	
D1948	RGP10J-5025-T3	SI. DIODE	
D1961	MTZJ7.5S-T2	ZENER DIODE	
D1962	1SS133-T2	SI. DIODE	
TRANSISTOR			
Q1101	2SC5083/L-P/-T	SI. TRANSISTOR	
Q1111	DTC124EKA-X	DIGI. TRANSISTOR	
Q1131	2SC2412K/QR/-X	SI. TRANSISTOR	
Q1161	2SC2412K/QR/-X	SI. TRANSISTOR	
Q1201-02	2SC2412K/QR/-X	SI. TRANSISTOR	
Q1251	2SC1740S/QR/-T	SI. TRANSISTOR	
Q1301-02	2SC2412K/QR/-X	SI. TRANSISTOR	
Q1341-42	2SC2412K/QR/-X	SI. TRANSISTOR	
Q1351-53	2SC4544-LB	SI. TRANSISTOR	
Q1401	2SC2412K/QR/-X	SI. TRANSISTOR	
Q1511	2SC2785/JH/-T	SI. TRANSISTOR	
Q1521	BSN304-T	F. E. T.	
△ Q1522	2SD1878-YD	SI. TRANSISTOR	H. OUT
Q1602	DTC323TK-X	DIGI. TRANSISTOR	
Q1603	2SA1037AK/QR/-X	SI. TRANSISTOR	
Q1606	2SA1037AK/QR/-X	SI. TRANSISTOR	
Q1607-08	2SC2412K/QR/-X	SI. TRANSISTOR	
Q1651	DTC363TK-X	DIGI. TRANSISTOR	
Q1701-02	2SC2412K/QR/-X	SI. TRANSISTOR	
Q1703	DTC124EKA-X	DIGI. TRANSISTOR	
Q1705	DTC124EKA-X	DIGI. TRANSISTOR	
Q1761	2SC2412K/QR/-X	SI. TRANSISTOR	
Q1921	2SA933AS/QR/-T	SI. TRANSISTOR	
Q1941	2SA966/OY/-T	SI. TRANSISTOR	
Q1942-44	2SC2412K/QR/-X	SI. TRANSISTOR	
Q1961	2SA949/Y/Z1-T	SI. TRANSISTOR	
IC			
IC1001	AN78L05-T	I. C (MONO-ANA)	
IC1101	M52342SP	I. C (MONO-ANA)	
IC1201	TB1230AN	I. C (DIGI-OTHER)	
IC1251	BA7612N	I. C (MONO-ANA)	
IC1291	AN78N05	I. C. (M)	
IC1292	AN78L09-T	I. C (MONO-ANA)	
IC1293	KIA78L05BP-T	I. C (MONO-ANA)	
△ IC1401	LA7840	I. C (MONO-ANA)	
IC1541	AN7809F	I. C (MONO-ANA)	
△ IC1601	LA4285	I. C (MONO-ANA)	
IC1602	SI-5001X-X	I. C (HYBRID)	
IC1651	LA7016	I. C (MONO-ANA)	
IC1701	M37272MA-054SP	I. C (MICRO-COMP)	
IC1702	L78LR05E-MA	I. C (MONO-ANA)	
IC1703	GP1U281Q	IFR DETECT UNIT	
IC1704	AT24C02-20N31	I. C	(Service)
△ IC1921	STR-F6654	I. C (HYBRID)	
△ IC1941	SE135N	I. C (HYBRID)	
OTHERS			
CF1001	LC30114-001C-H	L. E. D. HOLDER	
CF1131	FTP47.25MF	CERAMIC FILTER	
CF1161	QAX0339-001	CERAMIC FILTER	
	SFSH4.5MCB	CERAMIC FILTER	

Symbol No.	Part No.	Part Name	Description
OTHERS			
△ CP1941	ICP-N75-Y	I. C. PROTECT	
△ CP1942	ICP-N50-Y	I. C. PROTECT	
EF1301	CE42142-222Z	EMI FILTER	
F1901	QMF51E2-3R15J4	FUSE	3.15A
FC1901	CEMG002-001Z	FUSE CLIP	
FC1902	CEMG002-001Z	FUSE CLIP	
△ FR1542	QRZ9023-1R0	F R	1.0 Ω 2W J
△ FR1561	QRZ9017-4R7	F R	4.7 Ω 1/4W J
△ FR1585	QRZ9021-1R5	F R	1.5 Ω 1W J
△ FR1586	QRE121J-332Y	C R	3.3kΩ 1/2W J
△ FR1602	QRZ9023-3R3	FUSI. RESISTOR	3.3Ω 2W J
△ FR1720	QRZ9017-270	F R	27 Ω 1/4W J
J1001-02	QMN0348-002	PIN JACK	
J1003	CEMN065-001	PIN JACK	
J1004	CEMN065-002	PIN JACK	
J1006	QMS3007-C01	JACK	
K1401	QQR0621-001Z	BEADS CORE	
K1921	QQR0621-001Z	BEADS CORE	
K1923	QQR0582-001Z	BEADS CORE	
K1941	QQR0621-001Z	BEADS CORE	
K1942	QQR0582-001Z	BEADS CORE	
K1943	QQR0621-001Z	BEADS CORE	
△ LF1901	QQR0673-002	LINE FILTER	
△ PC1921	TLP621(GR)-LF2	I. C (PH. COUPLER)	
S1701	QSW0619-003Z	PUSH SWITCH	VOL+
S1702	QSW0619-003Z	PUSH SWITCH	VOL-
S1703	QSW0619-003Z	PUSH SWITCH	CH+
S1704	QSW0619-003Z	PUSH SWITCH	CH-
S1705	QSW0619-003Z	PUSH SWITCH	MENU
△ S1901	QSP4K21-C01	PUSH SWITCH	POWER
SF1101	QAX0324-002	SAW FILTER	
△ SK1351	CE42535-001J1	C. R. T. SOCKET	
△ TH1901	QAD0101-9R0	P. THERMISTOR	
TU1001	QAU0190-002	TUNER	
△ VA1901	ERZV10V621CS	VARIATOR	
X1301	QAX0305-001Z	CRYSTAL	
X1701	QAX0468-001Z	CRYSTAL	

PACKING



PACKING PARTS LIST

△ Ref.No.	Part No.	Part Name	Description
1	GG10057-009A-P	PACKING CASE	4 pcs. in 1 set
2	LC10469-005A	CUSHION ASSY	
3	CP30967-003-H	POLY BAG	
4	RM-C372GY-1H	REMOCOM UNIT	
5	CP30966-001-H	POLY BAG	△
6	LCT1013-001A-H	INST BOOK	
7	CP30902-064(R)	POS LABEL	

REMOTE CONTROL UNIT PARTS LIST (RM-C372GY-1H)

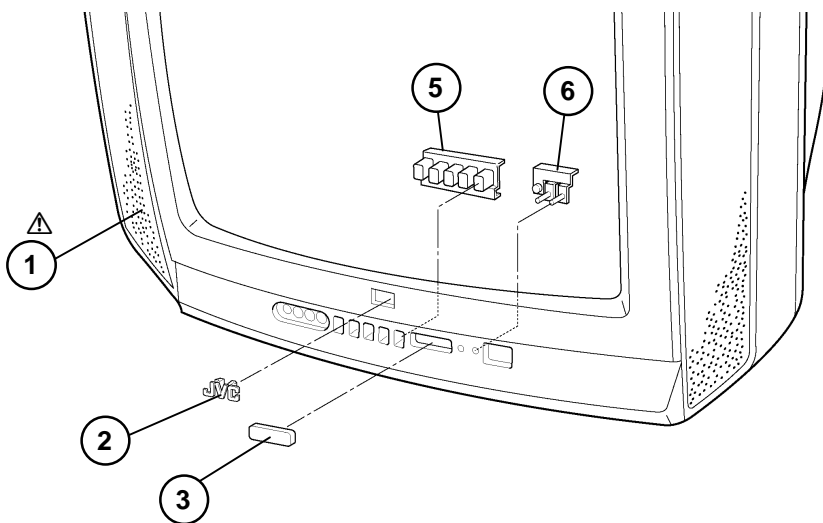
<u>△</u> Ref.No.	Part No.	Part Name	Description
	25-1168F	BATTERY COVER	

II. AV-20N31

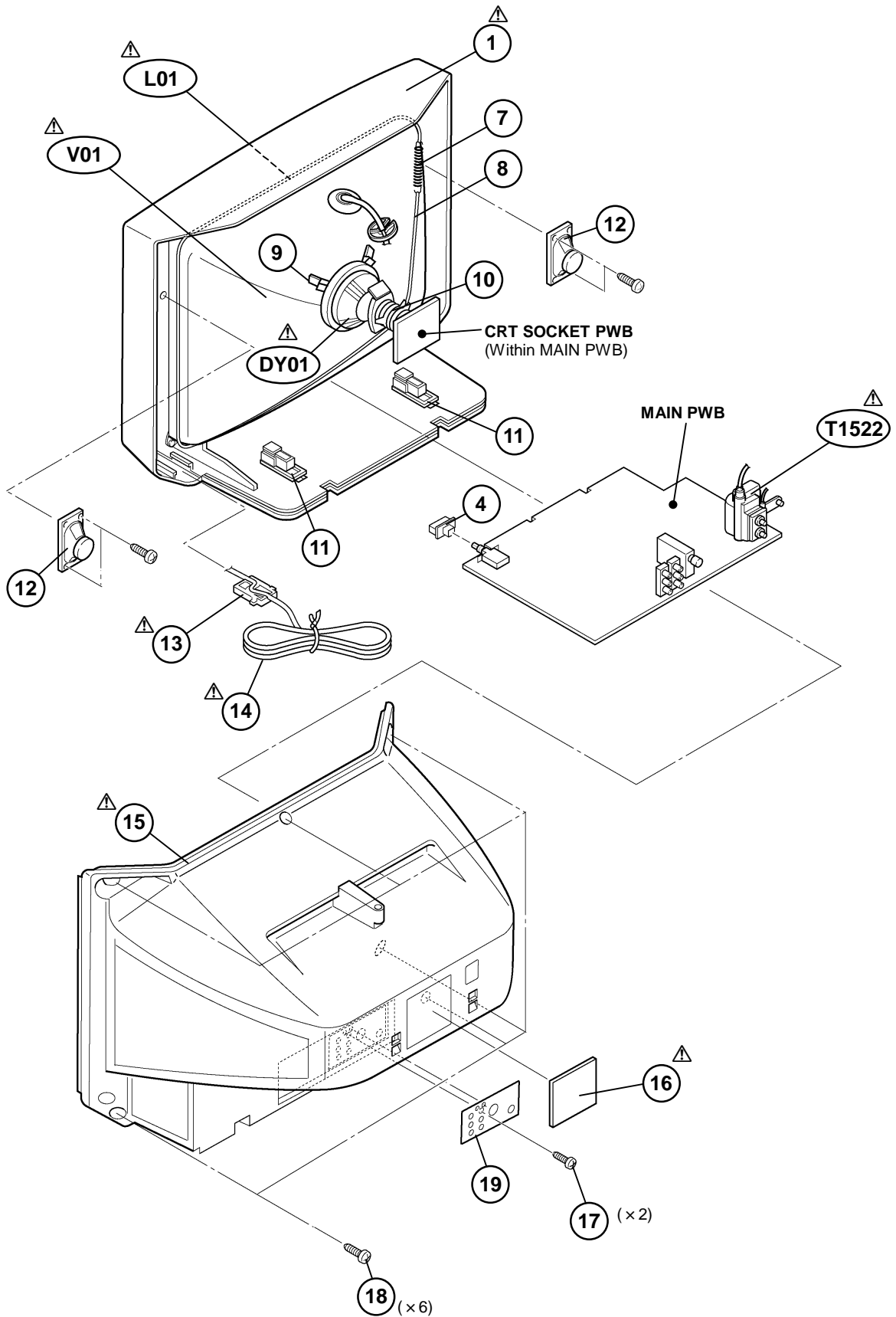
EXPLODED VIEW PARTS LIST

△ Ref.No.	Part No.	Part Name	Description
△ V01	A48KXR064X	PICTURE TUBE(C)	
△ L01	QQW0061-001	DEG COIL	
△ DY01	QQD0032-001	DEFLECTION YOKE	
△ T1522	QQH0030-002	H.V.TRANSF.	
△ 1	LC10438-021A-HK	FRONT CABINET	
2	CM48006-007-C	JVC MARK	
3	LC30664-001B-H	E.E.WINDOW	
4	LC30663-003A-H	POWER KNOB	
5	LC30665-001A-H	REMOCON WINDOW	
6	LC20318-003A-H	CONTROL KNOB	
7	A48457-4-S	SPRING	
8	WJY0008-002A	E-BRAIDED ASS'Y	
9	CE40764-00A	WEDGE ASSY	(X3)
10	A75034-B	P.C.MAGNET	
11	CM36623-B01-H	CHASSIS RAIL	(X2)
12	CEB5S12D-04KJ2	SPEAKER	(X2) SP01, SP02
△ 13	CM47005-A01-H	CORD CLAMP	
△ 14	QMPR010-200-E2	POWER CORD	or QMPR010-200-K2
△ 15	LC10448-003A-HK	REAR COVER	
△ 16	GG20003-017A-H	RATING LABEL	
17	QYSBSF3010Z	TAPPING SCREW	(X2)
18	QYSBSFG4016Z	TAPPING SCREW	(X6)
19	LC30819-001A	TERMINAL SHEET	

EXPLODED VIEW [AV-20N31]



EXPLODED VIEW [AV-20N31]



PRINTED WIRING BOARD PARTS LIST

MAIN P.W. BOARD ASS'Y (SGA-1054A-H2) [AV-20N31]

△ Symbol No.	Part No.	Part Name	Description
RESISTOR			
R1001	NRSA02J-563X	MG R	56kΩ 1/10W J
R1003-04	NRSA02J-0R0X	MG R	0.0Ω 1/10W J
R1005	QRT029J-4R7	MF R	4.7Ω 2W J
R1006	NRSA02J-820X	MG R	82Ω 1/10W J
R1101	NRSA02J-562X	MG R	5.6kΩ 1/10W J
R1102	NRSA02J-182X	MG R	1.8kΩ 1/10W J
R1103	QRE121J-101Y	C R	100Ω 1/2W J
R1104	NRSA02J-220X	MG R	22Ω 1/10W J
R1105	NRSA02J-270X	MG R	27Ω 1/10W J
R1111	NRSA02J-394X	MG R	390kΩ 1/10W J
R1112	NRSA02J-334X	MG R	330kΩ 1/10W J
R1113	NRSA02J-101X	MG R	100Ω 1/10W J
R1116	NRSA02J-151X	MG R	150Ω 1/10W J
R1131	NRSA02J-102X	MG R	1kΩ 1/10W J
R1132	NRSA02J-331X	MG R	330Ω 1/10W J
R1133	NRSA02J-102X	MG R	1kΩ 1/10W J
R1134	NRSA02J-271X	MG R	270Ω 1/10W J
R1135	NRSA02J-471X	MG R	470Ω 1/10W J
R1161	NRSA02J-332X	MG R	3.3kΩ 1/10W J
R1162	NRSA02J-0R0X	MG R	0.0Ω 1/10W J
R1163	NRSA02J-103X	MG R	10kΩ 1/10W J
R1164	NRSA02J-102X	MG R	1kΩ 1/10W J
R1165	NRSA02J-273X	MG R	27kΩ 1/10W J
R1166	NRSA02J-103X	MG R	10kΩ 1/10W J
R1167	NRSA02J-102X	MG R	1kΩ 1/10W J
R1168	NRSA02J-101X	MG R	100Ω 1/10W J
R1169	NRSA02J-561X	MG R	560Ω 1/10W J
R1170	NRSA02J-123X	MG R	12kΩ 1/10W J
R1171	NRSA02J-153X	MG R	15kΩ 1/10W J
R1201	NRSA02J-821X	MG R	820Ω 1/10W J
R1202	NRSA02J-102X	MG R	1kΩ 1/10W J
R1203	NRSA02J-821X	MG R	820Ω 1/10W J
R1204	NRSA02J-681X	MG R	680Ω 1/10W J
R1205	NRSA02J-152X	MG R	1.5kΩ 1/10W J
R1213	NRSA02J-391X	MG R	390Ω 1/10W J
R1215	NRSA02J-824X	MG R	820kΩ 1/10W J
R1216	NRSA02J-0R0X	MG R	0.0Ω 1/10W J
R1217	NRSA02J-684X	MG R	680kΩ 1/10W J
R1220	NRSA02J-0R0X	MG R	0.0Ω 1/10W J
R1251-52	NRSA02J-750X	MG R	75Ω 1/10W J
R1253	NRSA02J-680X	MG R	68Ω 1/10W J
R1254	QRE121J-101Y	C R	100Ω 1/2W J
R1255	NRSA02J-101X	MG R	100Ω 1/10W J
R1301	NRSA02J-102X	MG R	1kΩ 1/10W J
R1303	NRSA02J-223X	MG R	22kΩ 1/10W J
R1304	NRSA02J-223X	MG R	22kΩ 1/10W J
R1307	NRSA02J-103X	MG R	10kΩ 1/10W J
R1308	NRSA02J-472X	MG R	4.7kΩ 1/10W J
R1309	NRSA02J-103X	MG R	10kΩ 1/10W J
R1311	NRSA02J-273X	MG R	27kΩ 1/10W J
R1312	NRSA02J-0R0X	MG R	0.0Ω 1/10W J
R1314	NRSA02J-0R0X	MG R	0.0Ω 1/10W J
R1341	NRSA02J-121X	MG R	120Ω 1/10W J
R1342-43	NRSA02J-333X	MG R	33kΩ 1/10W J
R1351-53	NRSA02J-151X	MG R	150Ω 1/10W J
R1354-56	NRSA02J-331X	MG R	330Ω 1/10W J
R1357-59	NRSA02J-101X	MG R	100Ω 1/10W J
R1360-62	QRZ0107-152Z	C R	1.5kΩ 1/2W K
R1363-65	QRL029J-123	OM R	12kΩ 2W J
R1366-68	NRSA02J-272X	MG R	2.7kΩ 1/10W J
R1401	NRSA02J-103X	MG R	10kΩ 1/10W J
R1402	NRSA02J-682X	MG R	6.8kΩ 1/10W J
R1403	NRSA02J-0R0X	MG R	0.0Ω 1/10W J
R1404	NRSA02J-102X	MG R	1kΩ 1/10W J
R1405	NRSA02J-221X	MG R	220Ω 1/10W J
R1406-08	NRSA02J-472X	MG R	4.7kΩ 1/10W J
R1410	NRSA02J-0R0X	MG R	0.0Ω 1/10W J
R1413	QRE121J-391Y	C R	390Ω 1/2W J

△ Symbol No.	Part No.	Part Name	Description
RESISTOR			
R1414	QRX01GJ-1R2	MF R	1.2Ω 1W J
R1416	NRSA02J-563X	MG R	56kΩ 1/10W J
R1418	NRSA02J-563X	MG R	56kΩ 1/10W J
R1419	NRSA02J-223X	MG R	22kΩ 1/10W J
R1421-22	NRSA02J-0R0X	MG R	0.0Ω 1/10W J
R1423	NRSA02J-103X	MG R	10kΩ 1/10W J
R1501	NRSA02J-0R0X	MG R	0.0Ω 1/10W J
R1503	NRSA02J-103X	MG R	10kΩ 1/10W J
R1504	NRSA02J-104X	MG R	100kΩ 1/10W J
R1505	NRSA02J-822X	MG R	8.2kΩ 1/10W J
R1506	NRSA02J-102X	MG R	1kΩ 1/10W J
R1510	NRSA02J-0R0X	MG R	0.0Ω 1/10W J
R1512	NRSA02J-103X	MG R	10kΩ 1/10W J
R1513	NRSA02J-0R0X	MG R	0.0Ω 1/10W J
R1514	NRSA02J-333X	MG R	33kΩ 1/10W J
R1521	QRL039J-562	OM R	5.6kΩ 3W J
R1523	NRSA02J-222X	MG R	2.2kΩ 1/10W J
R1524	QRE121J-103Y	C R	10kΩ 1/2W J
R1526	QRL029J-152	OM R	1.5kΩ 2W J
R1529	NRSA02J-621X	MG R	620Ω 1/10W J
R1532	QRL039J-562	OM R	5.6kΩ 3W J
R1533	QRE121J-220Y	C R	22Ω 1/2W J
R1543	QRT039J-R47	MF R	0.47Ω 3W J
R1544	QRL039J-223	OM R	22kΩ 3W J
△ R1562	QRA14CF-6801Y	MF R	6.8kΩ 1/4W F
△ R1563	QRA14CF-3741Y	MF R	3.74kΩ 1/4W F
R1581	QRE121J-333Y	C R	33kΩ 1/2W J
R1582	QRE121J-393Y	C R	39kΩ 1/2W J
R1584	QRE121J-223Y	C R	22kΩ 1/2W J
R1603	NRSA02J-682X	MG R	6.8kΩ 1/10W J
R1605	NRSA02J-391X	MG R	390Ω 1/10W J
R1607	NRSA02J-682X	MG R	6.8kΩ 1/10W J
R1609	NRSA02J-391X	MG R	390Ω 1/10W J
R1611	NRSA02J-223X	MG R	22kΩ 1/10W J
R1613	NRSA02J-333X	MG R	33kΩ 1/10W J
R1620	NRSA02J-183X	MG R	18kΩ 1/10W J
R1622	NRSA02J-183X	MG R	18kΩ 1/10W J
R1626	NRSA02J-153X	MG R	15kΩ 1/10W J
R1627	NRSA02J-104X	MG R	100kΩ 1/10W J
R1628	NRSA02J-153X	MG R	15kΩ 1/10W J
R1629	NRSA02J-104X	MG R	100kΩ 1/10W J
R1631	NRSA02J-473X	MG R	47kΩ 1/10W J
R1635-36	QRE121J-271Y	C R	270Ω 1/2W J
R1651	NRSA02J-102X	MG R	1kΩ 1/10W J
R1652	NRSA02J-392X	MG R	3.9kΩ 1/10W J
R1653	NRSA02J-152X	MG R	1.5kΩ 1/10W J
R1654	NRSA02J-333X	MG R	33kΩ 1/10W J
R1655	NRSA02J-332X	MG R	3.3kΩ 1/10W J
R1656	NRVA02D-152X	MF R	1.5kΩ 1/10W D
R1658	NRVA02D-153X	MF R	15kΩ 1/10W D
R1660	NRSA02J-512X	MG R	5.1kΩ 1/10W J
R1669-70	NRSA02J-471X	MG R	470Ω 1/10W J
R1671	NRSA02J-102X	MG R	1kΩ 1/10W J
R1672	NRSA02J-102X	MG R	1kΩ 1/10W J
R1673-74	NRSA02J-823X	MG R	82kΩ 1/10W J
R1675-76	NRSA02J-181X	MG R	180Ω 1/10W J
R1677	NRSA02J-103X	MG R	10kΩ 1/10W J
R1678	NRSA02J-223X	MG R	22kΩ 1/10W J
R1679	NRSA02J-223X	MG R	22kΩ 1/10W J
R1680	NRSA02J-223X	MG R	22kΩ 1/10W J
R1681	NRSA02J-223X	MG R	22kΩ 1/10W J
R1682	NRSA02J-683X	MG R	68kΩ 1/10W J
R1685	NRSA02J-102X	MG R	1kΩ 1/10W J
R1686	NRSA02J-102X	MG R	1kΩ 1/10W J
R1687	NRSA02J-102X	MG R	1kΩ 1/10W J
R1688	NRSA02J-102X	MG R	1kΩ 1/10W J
R1691	NRSA02J-102X	MG R	1kΩ 1/10W J
R1692	NRSA02J-102X	MG R	1kΩ 1/10W J

Symbol No.	Part No.	Part Name	Description
RESISTOR			
R1701	NRSA02J-563X	MG R	56kΩ 1/10W J
R1702	NRSA02J-223X	MG R	22kΩ 1/10W J
R1703	NRSA02J-0R0X	MG R	0.0Ω 1/10W J
R1704	NRSA02J-103X	MG R	10kΩ 1/10W J
R1705	NRSA02J-102X	MG R	1kΩ 1/10W J
R1706	NRSA02J-823X	MG R	82kΩ 1/10W J
R1707	NRSA02J-103X	MG R	10kΩ 1/10W J
R1708	NRSA02J-0R0X	MG R	0.0Ω 1/10W J
R1709	NRSA02J-103X	MG R	10kΩ 1/10W J
R1710	NRSA02J-102X	MG R	1kΩ 1/10W J
R1711	NRSA02J-103X	MG R	10kΩ 1/10W J
R1712	NRSA02J-0R0X	MG R	0.0Ω 1/10W J
R1713	NRSA02J-103X	MG R	10kΩ 1/10W J
R1714	NRSA02J-0R0X	MG R	0.0Ω 1/10W J
R1715	NRSA02J-472X	MG R	4.7kΩ 1/10W J
R1716	NRSA02J-0R0X	MG R	0.0Ω 1/10W J
R1717	NRSA02J-472X	MG R	4.7kΩ 1/10W J
R1718	NRSA02J-0R0X	MG R	0.0Ω 1/10W J
R1719	NRSA02J-473X	MG R	47kΩ 1/10W J
R1720	NRSA02J-683X	MG R	68kΩ 1/10W J
R1721	NRSA02J-473X	MG R	47kΩ 1/10W J
R1725	NRSA02J-102X	MG R	1kΩ 1/10W J
R1726	NRSA02J-0R0X	MG R	0.0Ω 1/10W J
R1727	NRSA02J-103X	MG R	10kΩ 1/10W J
R1728	NRSA02J-102X	MG R	1kΩ 1/10W J
R1729	NRSA02J-105X	MG R	1MΩ 1/10W J
R1732	NRSA02J-102X	MG R	1kΩ 1/10W J
R1733	NRSA02J-333X	MG R	33kΩ 1/10W J
R1734	NRSA02J-102X	MG R	1kΩ 1/10W J
R1735	NRSA02J-102X	MG R	1kΩ 1/10W J
R1736	NRSA02J-124X	MG R	120kΩ 1/10W J
R1737	NRSA02J-184X	MG R	180kΩ 1/10W J
R1738	NRSA02J-102X	MG R	1kΩ 1/10W J
R1739	NRSA02J-102X	MG R	1kΩ 1/10W J
R1740	NRSA02J-472X	MG R	4.7kΩ 1/10W J
R1741	NRSA02J-102X	MG R	1kΩ 1/10W J
R1742	NRSA02J-472X	MG R	4.7kΩ 1/10W J
R1743	NRSA02J-223X	MG R	22kΩ 1/10W J
R1744	NRSA02J-103X	MG R	10kΩ 1/10W J
R1745	NRSA02J-153X	MG R	15kΩ 1/10W J
R1746	NRSA02J-103X	MG R	10kΩ 1/10W J
R1747	NRSA02J-153X	MG R	15kΩ 1/10W J
R1748	NRSA02J-103X	MG R	10kΩ 1/10W J
R1749	NRSA02J-153X	MG R	15kΩ 1/10W J
R1750-51	NRSA02J-561X	MG R	560Ω 1/10W J
R1752-53	NRSA02J-103X	MG R	10kΩ 1/10W J
R1754	NRSA02J-562X	MG R	5.6kΩ 1/10W J
R1755-56	NRSA02J-103X	MG R	10kΩ 1/10W J
R1757	NRSA02J-562X	MG R	5.6kΩ 1/10W J
R1758	NRSA02J-223X	MG R	22kΩ 1/10W J
R1759	NRSA02J-103X	MG R	10kΩ 1/10W J
R1765	NRSA02J-122X	MG R	1.2kΩ 1/10W J
R1766	NRSA02J-102X	MG R	1kΩ 1/10W J
R1771-72	NRSA02J-221X	MG R	220Ω 1/10W J
R1781-82	NRSA02J-681X	MG R	680Ω 1/10W J
R1783-84	NRSA02J-221X	MG R	220Ω 1/10W J
R1801-03	NRSA02J-221X	MG R	220Ω 1/10W J
R1811-13	NRSA02J-0R0X	MG R	0.0Ω 1/10W J
R1815	NRSA02J-0R0X	MG R	0.0Ω 1/10W J
R1816	NRSA02J-103X	MG R	10kΩ 1/10W J
R1901	QRF104K-3R9	UNF R	3.9Ω 10W K
R1902	QRL039J-393	OM R	39kΩ 3W J
R1910	QRE121J-564Y	C R	560kΩ 1/2W J
R1911	QRE121J-183Y	C R	18kΩ 1/2W J
R1921	QRE121J-681Y	C R	680Ω 1/2W J
R1922	QRMO59J-R22	MP R	0.22Ω 5W J
R1923	QRT029J-R39	MF R	0.39Ω 2W J
R1924	QRE121J-103Y	C R	10kΩ 1/2W J
R1925	QRE121J-102Y	C R	1kΩ 1/2W J
R1926	QRE121J-152Y	C R	1.5kΩ 1/2W J
R1929	QRE121J-332Y	C R	3.3kΩ 1/2W J
R1932	QRE121J-487Y	C R	4.7Ω 1/2W J

Symbol No.	Part No.	Part Name	Description
RESISTOR			
R1942	NRSA02J-223X	MG R	22kΩ 1/10W J
R1943	QRE121J-152Y	C R	1.5kΩ 1/2W J
R1944	NRSA02J-103X	MG R	10kΩ 1/10W J
R1945	NRSA02J-332X	MG R	3.3kΩ 1/10W J
R1946	NRSA02J-123X	MG R	12kΩ 1/10W J
R1947	QRE121J-470Y	C R	47Ω 1/2W J
R1948	NRSA02J-152X	MG R	1.5kΩ 1/10W J
R1949	NRSA02J-153X	MG R	15kΩ 1/10W J
R1950	NRSA02J-103X	MG R	10kΩ 1/10W J
R1951	NRSA02J-332X	MG R	3.3kΩ 1/10W J
R1952	NRSA02J-472X	MG R	4.7kΩ 1/10W J
R1959	NRSA02J-0R0X	MG R	0.0Ω 1/10W J
R1961-62	QRT029J-1R8	MF R	1.8Ω 2W J
R1964	QRE121J-272Y	C R	2.7kΩ 1/2W J
R1965	QRE121J-473Y	C R	47kΩ 1/10W J
R1966	NRSA02J-223X	MG R	22kΩ 1/10W J
R1967	QRG01GJ-681	OM R	680Ω 1W J
R1981	QRZ0057-825	C R	8.2MΩ 1W J
CAPACITOR			
C1001	QETN1HM-106Z	E CAP.	10μF 50V M
C1007	QETN1CM-477Z	E CAP.	470μF 16V M
C1008-09	QETN1CM-107Z	E CAP.	100μF 16V M
C1011	NCB21HK-103X	C CAP.	0.01μF 50V K
C1101-02	NCB21HK-103X	C CAP.	0.01μF 50V K
C1103	NDC21HJ-680X	C CAP.	68pF 50V J
C1104-05	NCB21HK-103X	C CAP.	0.01μF 50V K
C1111	QETN1EM-476Z	E CAP.	47μF 25V M
C1112-14	NCB21HK-103X	C CAP.	0.01μF 50V K
C1116	QFV71HJ-224Z	MF CAP.	0.22μF 50V J
C1117	QETN1EM-476Z	E CAP.	47μF 25V M
C1118	NCB21HK-103X	C CAP.	0.01μF 50V K
C1119	NDC21HJ-681X	C CAP.	680pF 50V J
C1120	QETN1HM-225Z	E CAP.	2.2μF 50V M
C1123-24	NCB21HK-103X	C CAP.	0.01μF 50V K
C1161	QETN1HM-106Z	E CAP.	10μF 50V M
C1163-64	NDC21HJ-470X	C CAP.	47pF 50V J
C1165-66	NCB21HK-103X	C CAP.	0.01μF 50V K
C1202	QETN1CM-107Z	E CAP.	100μF 16V M
C1207	NCB21HK-104X	CHIP CAP.	0.1μF 50V K
C1208	QETN1HM-475Z	E CAP.	4.7μF 50V M
C1209	QETN1CM-227Z	E CAP.	220μF 16V M
C1210	NCB21HK-103X	C CAP.	0.01μF 50V K
C1211	NDC21HJ-681X	C CAP.	680pF 50V J
C1212	NCB21HK-104X	CHIP CAP.	0.1μF 50V K
C1213	QETN1HM-105Z	E CAP.	1μF 50V M
C1214	NCB21HK-104X	CHIP CAP.	0.1μF 50V K
C1215	QETN1HM-106Z	E CAP.	10μF 50V M
C1251	QENC1HM-106Z	BP E CAP.	10μF 50V M
C1252	QETN1HM-106Z	E CAP.	10μF 50V M
C1254	QETN1CM-477Z	E CAP.	470μF 16V M
C1255	QETN1HM-106Z	E CAP.	10μF 50V M
C1256	QETN1CM-227Z	E CAP.	220μF 16V M
C1291-92	QETN1CM-107Z	E CAP.	100μF 16V M
C1294	QETN1CM-107Z	E CAP.	100μF 16V M
C1296	QETN1CM-107Z	E CAP.	100μF 16V M
C1301-02	NDC21HJ-150X	C CAP.	150pF 50V J
C1303	NDC21HJ-120X	C CAP.	12pF 50V J
C1304	NCB21HK-103X	C CAP.	0.01μF 50V K
C1305	NDC21HJ-120X	C CAP.	12pF 50V J
C1306	QETN1EM-476Z	E CAP.	47μF 25V M
C1307	NCB21HK-103X	C CAP.	0.01μF 50V K
C1308-09	NCB21HK-104X	CHIP CAP.	0.1μF 50V K
C1311	QETN1HM-225Z	E CAP.	2.2μF 50V M
C1312	NCB21HK-103X	C CAP.	0.01μF 50V K
C1313	QETN1HM-475Z	E CAP.	4.7μF 50V M
C1342	QETN1HM-335Z	E CAP.	3.3μF 50V M
C1354-55	NDC21HJ-271X	C CAP.	270pF 50V J
C1356	NDC21HJ-331X	C CAP.	330pF 50V J
C1357	QETN1CM-107Z	E CAP.	100μF 16V M
C1382	QCZ0121-102	C CAP.	1000pF 3kV Z

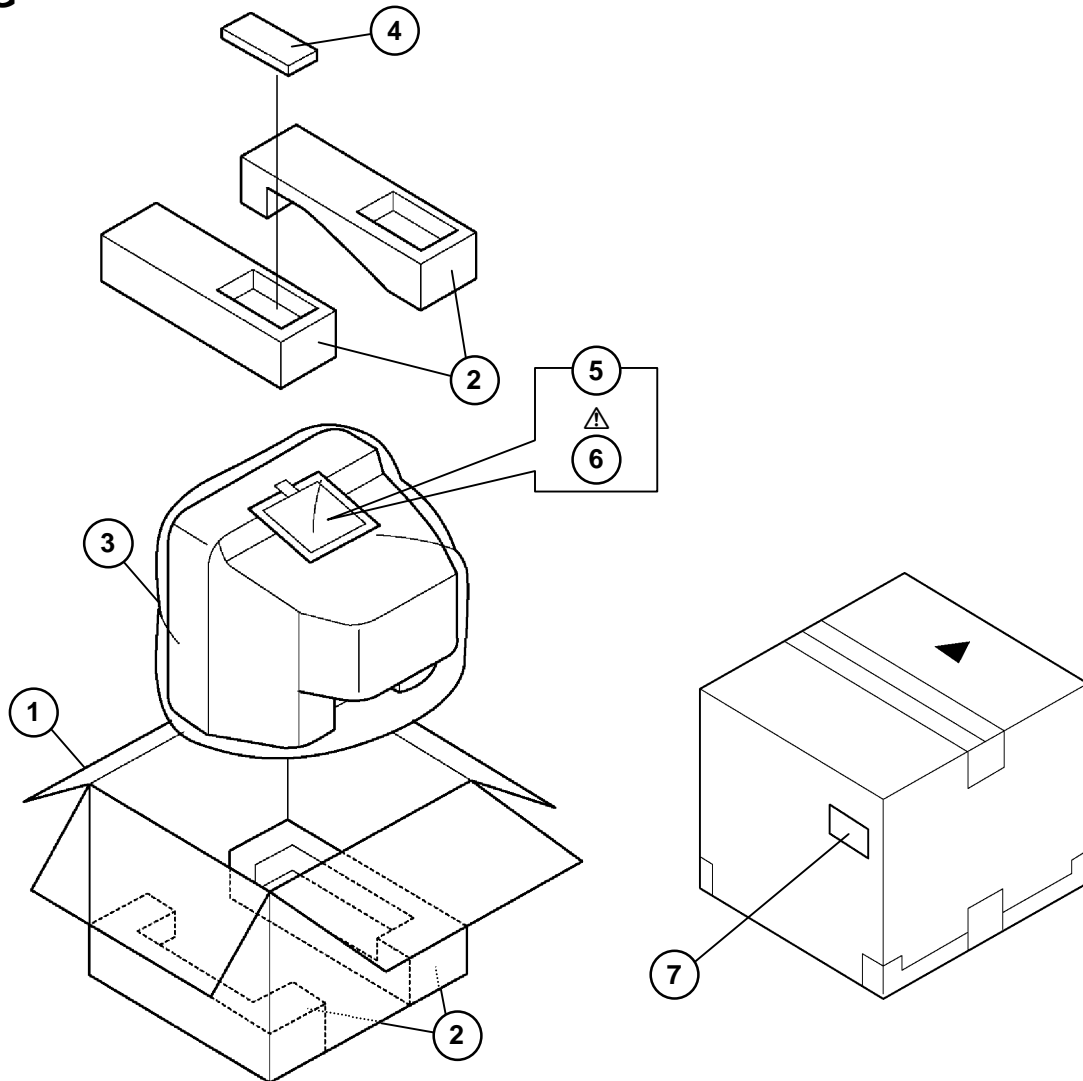
Symbol No.	Part No.	Part Name	Description
CAPACITOR			
C1401-02	QETN1HM-105Z	E CAP.	1μF 50V M
C1403	QEM61EK-225Z	E CAP.	2.2μF 25V K
C1405	QFV71HJ-104Z	MF CAP.	0.1μF 50V J
C1406	QFLC1HJ-103Z	M CAP.	0.01μF 50V J
C1410	QETN1VM-107Z	E CAP.	100μF 35V M
C1411	QETN1VM-477Z	E CAP.	470μF 35V M
C1412	QFLC2AJ-563Z	M CAP.	0.056μF 100V J
C1413	QETN1EM-108Z	E CAP.	1000μF 25V M
C1414	QETN1HM-105Z	E CAP.	1μF 50V M
C1415	QFLC1HJ-152Z	M CAP.	1500pF 50V J
C1416	NDC21HJ-681X	C CAP.	680pF 50V J
C1501	QETN1CM-107Z	E CAP.	100μF 16V M
C1503	NCB21HK-103X	C CAP.	0.01μF 50V K
C1505-06	NCB21HK-103X	C CAP.	0.01μF 50V K
C1507	QETN1HM-105Z	E CAP.	1μF 50V M
C1511	QETN1HM-106Z	E CAP.	10μF 50V M
C1521	QCB32HK-151Z	C CAP.	150pF 500V K
C1522	QCB32HK-331Z	C CAP.	330pF 500V K
C1523	QETN2CM-105Z	E CAP.	1μF 160V M
△ C1524	QFZ0198-78Z	MPP CAP.	7800pF1.5kVH±3%
△ C1525	QFZ0119-434	MPP CAP.	0.43μF 200V ±3%
△ C1526	QEZO203-476	E CAP.	47μF 160V M
C1541	QETN2EM-106Z	E CAP.	10μF 250V M
C1543	QETN1VM-477Z	E CAP.	470μF 35V M
C1546-47	QETN1CM-227Z	E CAP.	220μF 16V M
C1561	QETN1VM-107Z	E CAP.	100μF 35V M
C1581	QFLC1HJ-473Z	M CAP.	0.047μF 50V J
C1583	QFV71HJ-104Z	MF CAP.	0.1μF 50V J
C1584	QFLC2AJ-103Z	M CAP.	0.01μF 100V J
C1603	NRSA02J-OROX	MG R	0.0Ω 1/10W J
C1604	QENC1HM-474Z	BP E CAP.	0.47μF 50V M
C1606	NRSA02J-OROX	MG R	0.0Ω 1/10W J
C1607	QENC1HM-474Z	BP E CAP.	0.47μF 50V M
C1609	QETN1CM-107Z	E CAP.	100μF 16V M
C1613	QETN1CM-108Z	E CAP.	1000μF 16V M
C1615	QETN1CM-477Z	E CAP.	470μF 16V M
C1617	QETN1CM-477Z	E CAP.	470μF 16V M
C1622	QETN1HM-105Z	E CAP.	1μF 50V M
C1623-24	QENC1HM-474Z	BP E CAP.	0.47μF 50V M
C1631	QETN1EM-477Z	E CAP.	470μF 25V M
C1637-38	NCB21HK-332X	C CAP.	3300pF 50V K
C1651	NCB21HK-103X	C CAP.	0.01μF 50V K
C1652	QETN1CM-107Z	E CAP.	100μF 16V M
C1653	QETN1EM-476Z	E CAP.	47μF 25V M
C1654	NCB21HK-104X	CHIP CAP.	0.1μF 50V K
C1655	QENC1HM-475Z	BP E CAP.	4.7μF 50V M
C1656	QENC1HM-105Z	BP E CAP.	1μF 50V M
C1657	QETN1HM-225Z	E CAP.	2.2μF 50V M
C1658	NCB21HK-473X	C CAP.	0.047μF 50V K
C1659	QETN1HM-474Z	E CAP.	0.47μF 50V M
C1660-61	NCB21HK-104X	CHIP CAP.	0.1μF 50V K
C1662	QBTC1CK-335Z	TAN. CAP.	3.3μF 16V K
C1663	QETN1HM-105Z	E CAP.	1μF 50V M
C1664	QBTC1CK-106Z	TAN. CAP.	10μF 16V K
C1665-66	QETN1HM-105Z	E CAP.	1μF 50V M
C1667	QETN1HM-336Z	E CAP.	33μF 50V M
C1668	QETN1HM-105Z	E CAP.	1μF 50V M
C1671	QETN1HM-225Z	E CAP.	2.2μF 50V M
C1672	NCB21HK-222X	C CAP.	2200pF 50V K
C1673	NCB21HK-104X	CHIP CAP.	0.1μF 50V K
C1674	QETN1HM-225Z	E CAP.	2.2μF 50V M
C1675	NCB21HK-222X	C CAP.	2200pF 50V K
C1676	NCB21HK-104X	CHIP CAP.	0.1μF 50V K
C1677	NCB21HK-223X	C CAP.	0.022μF 50V K
C1679	QETN1HM-105Z	E CAP.	1μF 50V M
C1682-83	QETN1HM-475Z	E CAP.	4.7μF 50V M
C1684-86	QETN1HM-106Z	E CAP.	10μF 50V M
C1691-92	QETN1HM-106Z	E CAP.	10μF 50V M
C1693-94	NCB21HK-332X	C CAP.	3300pF 50V K
C1701	NRSA02J-OROX	MG R	0.0Ω 1/10W J
C1703	NRSA02J-OROX	MG R	0.0Ω 1/10W J
C1704	NCB21HK-102X	C CAP.	1000pF 50V K

Symbol No.	Part No.	Part Name	Description
CAPACITOR			
C1706	QETN1AM-227Z	E CAP.	220μF 10V M
C1707	NCB21HK-103X	C CAP.	0.01μF 50V K
C1708	QETN1HM-106Z	E CAP.	10μF 50V M
C1711	NDC21HJ-151X	C CAP.	150pF 50V J
C1712	NCB21HK-104X	CHIP CAP.	0.1μF 50V K
C1713	QETN1HM-105Z	E CAP.	1μF 50V M
C1714	NDC21HJ-221X	C CAP.	220pF 50V J
C1715	NCB21HK-102X	C CAP.	1000pF 50V K
C1716	QENC1HM-474Z	BP E CAP.	0.47μF 50V M
C1717	NDC21HJ-180X	C CAP.	18pF 50V J
C1718	NDC21HJ-220X	C CAP.	22pF 50V J
C1719	QETN1CM-107Z	E CAP.	100μF 16V M
C1720	NCB21HK-104X	CHIP CAP.	0.1μF 50V K
C1723	NDC21HJ-151X	C CAP.	150pF 50V J
C1724	QETN1HM-105Z	E CAP.	1μF 50V M
C1725	NDC21HJ-151X	C CAP.	150pF 50V J
C1727	NCB21HK-103X	C CAP.	0.01μF 50V K
C1733	QETN1EM-476Z	E CAP.	47μF 25V M
C1734	NCB21HK-104X	CHIP CAP.	0.1μF 50V K
C1735	NCB21HK-103X	C CAP.	0.01μF 50V K
C1736	QETN1CM-107Z	E CAP.	100μF 16V M
C1738	QETN1EM-476Z	E CAP.	47μF 25V M
C1742	QETN1HM-225Z	E CAP.	2.2μF 50V M
C1765	NDC21HJ-101X	C CAP.	100pF 50V J
C1771	QETN1EM-476Z	E CAP.	47μF 25V M
C1772	NCB21HK-103X	C CAP.	0.01μF 50V K
C1805	QETN1CM-227Z	E CAP.	220μF 16V M
C1806	NCB21HK-103X	C CAP.	0.01μF 50V K
△ C1811-13	NCB21HK-103X	C CAP.	0.01μF 50V K
△ C1901	QFZ9040-104	MF CAP.	0.1μF AC275V M
△ C1902	QFZ9040-104	MF CAP.	0.1μF AC275V M
△ C1903	QCZ9078-472	C CAP.	4700pFAC250V M
△ C1904	QCZ9078-472	C CAP.	4700pFAC250V M
△ C1905	QCZ9078-472	C CAP.	4700pFAC250V M
△ C1906	QEZO199-127	E CAP.	120μF 400V M
C1921	QCZ0325-102	C CAP.	1000pF 2kV K
C1922	QCS31HJ-471Z	C CAP.	470pF 50V J
C1924	QETN1VM-107Z	E CAP.	100μF 35V M
C1925	QFLC1HJ-102Z	M CAP.	1000pF 50V J
C1926	QFLC1HJ-182Z	M CAP.	1800pF 50V J
C1928	QFV71HJ-104Z	MF CAP.	0.1μF 50V J
C1931	QCZ0122-391	C CAP.	390pF 2kV K
C1941	QCZ0122-471	C CAP.	470pF 2kV K
△ C1942	QEZO203-107	E CAP.	100μF 160V M
C1943	QCB32HK-471Z	C CAP.	470pF 500V K
C1944	QETN1EM-108Z	E CAP.	1000μF 25V M
C1945	QETN1EM-227Z	E CAP.	220μF 25V M
C1946	QETN1EM-107Z	E CAP.	100μF 25V M
C1947	QETN1HM-106Z	E CAP.	10μF 50V M
C1952	QETN1EM-108Z	E CAP.	1000μF 25V M
C1953	QCZ0122-471	C CAP.	470pF 2kV K
C1957	NDC21HJ-471X	C CAP.	470pF 50V J
C1961	QETN1CM-107Z	E CAP.	100μF 16V M
C1962	QETN1EM-476Z	E CAP.	47μF 25V M
△ C1981	QCZ9079-471	C CAP.	470pFAC250V K
△ C1982	QCZ9079-102	C CAP.	1000pFAC250V M
△ C1983	QCZ9079-471	C CAP.	470pFAC250V K
C1984	QETN1VM-337Z	E CAP.	330μF 35V M
TRANSFORMER			
T1111	CELTO01-209J3	C. WAVE TRANSF.	
T1521	CE42034-001	H. DRIVE TRANSF.	
△ T1921	CETS109-001JK	SWITCH. TRANSF.	
COIL			
L1001	QQL03BJ-150Z	COIL	15μH J
L1003	QQL03BJ-4R7Z	COIL	4.7μH J
L1101	QQLZ014-R22	PEAKING COIL	
L1131	QQL03BJ-150Z	COIL	15μH J
L1161	QQL03BJ-220Z	COIL	22μH J
L1205	QQL03BJ-4R7Z	COIL	4.7μH J
L1301	QQL03BJ-390Z	COIL	39μH J

Symbol No.	Part No.	Part Name	Description
COIL			
L1381	QQL03BJ-390Z	COIL	39μH J
L1501	QQL03BJ-4R7Z	COIL	4.7μH J
L1701-02	QQL03BJ-4R7Z	COIL	4.7μH J
L1708	QQL03BJ-560Z	COIL	56μH J
L1771	QQL03BJ-4R7Z	COIL	4.7μH J
L1941-42	QQL26AK-820Z	COIL	82μH K
DIODE			
D1001	MTZJ33A-T2	ZENER DIODE	
D1201	1SS133-T2	SI. DIODE	
D1202	MTZJ7.5B-T2	ZENER DIODE	
D1251	MTZJ9.1C-T2	ZENER DIODE	
D1253-56	MTZJ5.6A-T2	ZENER DIODE	
D1257	MTZJ9.1C-T2	ZENER DIODE	
D1341	1SS133-T2	SI. DIODE	
D1401	1N4003-T2	SI. DIODE	
D1402	MTZJ75-T2	ZENER DIODE	
D1510	1SS133-T2	SI. DIODE	
D1541	RH15-T3	SI. DIODE	
D1542	RGP10J-5025-T3	SI. DIODE	
D1543	RGP10J-5025-T3	SI. DIODE	
D1544	RH15-T3	SI. DIODE	
D1561	1SS81-T2	SI. DIODE	
△ D1562	MTZJ7.55-T2	ZENER DIODE	
D1581	RGP10J-5025-T3	SI. DIODE	
D1582	MTZJ9.1B-T2	ZENER DIODE	
D1631	1SS133-T2	SI. DIODE	
D1632	1SS133-T2	SI. DIODE	
D1633	1SS133-T2	SI. DIODE	
D1634	1SS133-T2	SI. DIODE	
D1656-57	MTZJ9.1C-T2	ZENER DIODE	
D1691-92	MTZJ9.1C-T2	ZENER DIODE	
D1701	1SS133-T2	SI. DIODE	
D1702	1SS133-T2	SI. DIODE	
D1704	1SS133-T2	SI. DIODE	
D1705	MTZJ5.6A-T2	ZENER DIODE	
D1706	SLR-342VR-T16	L. E. D.	
D1707	SLR-342DU-T16	L. E. D. (ORG)	
D1771-72	MTZJ6.2B-T2	ZENER DIODE	
D1801-03	MTZJ15B-T2	ZENER DIODE	
△ D1805	MTZJ15B-T2	ZENER DIODE	
△ D1901	D2SBA60	BRIDGE DIODE	
D1903	RGP10J-5025-T3	SI. DIODE	
D1905	MTZJ6.8A-T2	ZENER DIODE	
D1921	RGP10J-5025-T3	SI. DIODE	
D1922	RGP10J-5025-T3	SI. DIODE	
D1923	MTZJ15A-T2	ZENER DIODE	
D1924	1SS133-T2	SI. DIODE	
D1927	1SS133-T2	SI. DIODE	
D1928	1SS133-T2	SI. DIODE	
D1929	MTZJ15A-T2	ZENER DIODE	
D1941	RU3AM-LFC4	SI. DIODE	
D1942	RGP10J-5025-T3	SI. DIODE	
D1943	1SS133-T2	SI. DIODE	
D1945	MTZJ5.6B-T2	ZENER DIODE	
D1948	RGP10J-5025-T3	SI. DIODE	
D1961	MTZJ7.55-T2	ZENER DIODE	
D1962	1SS133-T2	SI. DIODE	
TRANSISTOR			
Q1101	2SC5083/L-P/-T	SI. TRANSISTOR	
Q1111	DTC124EKA-X	DIGI. TRANSISTOR	
Q1131	2SC2412K/QR/-X	SI. TRANSISTOR	
Q1161	2SC2412K/QR/-X	SI. TRANSISTOR	
Q1201-02	2SC2412K/QR/-X	SI. TRANSISTOR	
Q1251	2SC1740S/QR/-T	SI. TRANSISTOR	
Q1301-02	2SC2412K/QR/-X	SI. TRANSISTOR	
Q1341-42	2SC2412K/QR/-X	SI. TRANSISTOR	
Q1351-53	2SC4544-LB	SI. TRANSISTOR	
Q1401	2SC2412K/QR/-X	SI. TRANSISTOR	
Q1511	2SC2785/JH/-T	SI. TRANSISTOR	
Q1521	BSN304-T	F. E. T.	
△ Q1522	2SD1878-YD	SI. TRANSISTOR	H. OUT
Q1601	2SC2412K/QR/-X	SI. TRANSISTOR	
Q1603-05	DTC323TK-X	DIGI. TRANSISTOR	

Symbol No.	Part No.	Part Name	Description
TRANSISTOR			
Q1631	2SA1037AK/QR/-X	SI. TRANSISTOR	
Q1651-54	DTC323TK-X	DIGI. TRANSISTOR	
Q1701-02	2SC2412K/QR/-X	SI. TRANSISTOR	
Q1703	DTC124EKA-X	DIGI. TRANSISTOR	
Q1705	DTC124EKA-X	DIGI. TRANSISTOR	
Q1761	2SC2412K/QR/-X	SI. TRANSISTOR	
Q1921	2SA933AS/QR/-T	SI. TRANSISTOR	
Q1941	2SA966/OY/-T	SI. TRANSISTOR	
Q1942-44	2SC2412K/QR/-X	SI. TRANSISTOR	
Q1961	2SA949/Y/Z1-T	SI. TRANSISTOR	
IC			
IC1001	AN78L05-T	I. C. (MONO-ANA)	
IC1101	M52342SP	I. C. (MONO-ANA)	
IC1201	TB1230AN	I. C. (DIGI-OTHER)	
IC1251	BA7612N	I. C. (MONO-ANA)	
IC1291	AN78N05	I. C. (M)	
IC1292	AN78L09-T	I. C. (MONO-ANA)	
IC1293	KIA78L05BP-T	I. C. (MONO-ANA)	
△ IC1401	LA7840	I. C. (MONO-ANA)	
IC1541	AN7809F	I. C. (MONO-ANA)	
△ IC1601	LA4485	I. C. (MONO-ANA)	
IC1651	UPC1851BCU	I. C. (MONO-ANA)	
IC1701	M3727MA-0545P	I. C. (MICRO-COMP)	
IC1702	L78LR05E-MA	I. C. (MONO-ANA)	
IC1703	GP1U281Q	IFR DETECT UNIT	
IC1704	AT24C02-20N31	I. C.	(Service)
△ IC1921	STR-F6654	I. C. (HYBRID)	
△ IC1941	SE135N	I. C. (HYBRID)	
OTHERS			
CF1001	LC30114-001C-H	L. E. D. HOLDER	
CF1131	FTP47.25MF	CERAMIC FILTER	
CF1161	QAX0339-001	CERAMIC FILTER	
CF1161	SF5H4.5MBC	CERAMIC FILTER	
△ CP1941	ICP-N75-Y	I. C. PROTECT	
△ CP1942	ICP-N50-Y	I. C. PROTECT	
EF1301	CE42142-222Z	EMI FILTER	
△ F1901	QMF51E2-3R15J4	FUSE	3.15A
FC1901	CEMG002-001Z	FUSE CLIP	
FC1902	CEMG002-001Z	FUSE CLIP	
△ FR1542	QRZ9023-1R0	F R	1.0 Ω 2W J
△ FR1561	QRZ9017-4R7	F R	4.7 Ω 1/4W J
△ FR1585	QRZ9021-1R5	F R	1.5 Ω 1W J
△ FR1586	QRE121J-332Y	C R	3.3kΩ 1/2W J
△ FR1621	QRZ9023-1R5	F R	1.5 Ω 2W J
△ FR1720	QRZ9017-270	F R	27 Ω 1/4W J
J1001-02	QNN0349-001	PIN JACK	
J1003	CEMN065-001	PIN JACK	
J1004	CEMN065-002	PIN JACK	
J1005	CEMN072-003	PIN JACK	
J1006	QNS0155-001	JACK	
K1401	QQR0621-001Z	BEADS CORE	
K1921	QQR0621-001Z	BEADS CORE	
K1923	QQR0582-001Z	BEADS CORE	
K1941	QQR0621-001Z	BEADS CORE	
K1942	QQR0582-001Z	BEADS CORE	
K1943	QQR0621-001Z	BEADS CORE	
△ LF1901	QQR0673-002	LINE FILTER	
△ PC1921	TLP621(GR)-LF2	I. C. (PH. COUPLER)	
S1701	QSW0619-003Z	PUSH SWITCH	VOL+
S1702	QSW0619-003Z	PUSH SWITCH	VOL-
S1703	QSW0619-003Z	PUSH SWITCH	CH+
S1704	QSW0619-003Z	PUSH SWITCH	CH-
S1705	QSW0619-003Z	PUSH SWITCH	MENU
△ S1901	QSP4K21-C01	PUSH SWITCH	POWER
SF1101	QAX0324-002	SAW FILTER	
△ SK1351	CE42535-001J1	C. R. T. SOCKET	
△ TH1901	QAD0101-9R0	P. THERMISTOR	
TU1001	QAU0190-002	TUNER	
△ VA1901	ERZV10V621CS	VARISTOR	
X1301	QAX0305-001Z	CRYSTAL	
X1701	QAX0468-001Z	CRYSTAL	

PACKING



PACKING PARTS LIST

△ Ref.No.	Part No.	Part Name	Description
1	GG10057-010A-P	PACKING CASE	4 pcs.in 1 set
2	LC10469-005A	CUSHION ASSY	
3	CP30967-003-H	POLY BAG	
4	RM-C373GY-1H	REMOCON UNIT	
△ 5	CP30966-001-H	POLY BAG	
6	LCT1013-001A-H	INST BOOK	
7	CP30902-065(R)	POS LABEL	

REMOTE CONTROL UNIT PARTS LIST (RM-C373GY-1H)

△ Ref.No.	Part No.	Part Name	Description
	25-1168F	BATTERY COVER	

JVC

VICTOR COMPANY OF JAPAN, LIMITED

HOME AV NETWORK BUSINESS UNIT 12, 3-chome, Moriya-cho, Kanagawa-ku, Yokohama, Kanagawa-prefecture, 221-8528, Japan

AV20N11PH-SK #3
AV20N31PH-SK #3

 VP 0109
DP1058